

AQB2005 connection set AQB2004 mounting bracket
Symaro™

Mounting aids

AQB2005 AQB2004

Accessories for mounting QBE2... series pressure sensors.

- Connection set **AQB2005** for remote mounting of pressure sensors
- Mounting bracket **AQB2004** to attach the pressure sensor for remote mounting

Application

The connection set **AQB2005** and mounting bracket **AQB2004** are installed if the media temperature for pressure sensor QBE2x03 is colder than -15 °C or higher than $+125\text{ °C}$.

For remote mounting, the sensor can be operated together with the connection set **AQB2005** at ambient temperatures of $-15\text{ °C}...+85\text{ °C}$ with media temperatures of $-40\text{ °C}...+180\text{ °C}$.

The connection set connects the sensor to natural gas or hydraulic systems with $G\ 1/2$ " threads.

Type summary

Type	Order number (SSN)	Product designation
AQB2005	S55720-S549	Connection set
AQB2004	S55720-S318	Mounting bracket

Ordering and delivery

To order accessories, indicate the type, order number, and product designation.

Example

Product no. (ASN)	Order number (SSN)	Product designation
AQB2005	S55720-S549	Connection set

AQB2001 and AQB2004 are each supplied with mounting instructions.

Equipment combinations

The mounting bracket **AQB2004** can be used with series QBE2x03 and QBE2x04. Connection set **AQB2005** is designed for use with series QBE2x03.

Mechanical design

AQB2005

Connection set **AQB2005** consists of:

- 1 m copper capillary line with brass connecting nut
- Brass thread adaptor G 1/8" wrapped in PTFE
- Brass thread adaptor G 1/8" / G 1/2" wrapped in PTFE
- Fittings G 1/2"
- Copper washer

AQB2004

The mounting bracket is supplied with fixing screw M4x8.

Mounting instructions

The sensor can be operated in detached installation at ambient temperatures up to 85 °C (-15 °C) and at media temperatures up to 180 °C (-40 °C). In this case, ensure the cooling output of the copper lines are not reduced by other heat sources or by blocked air circulation. Permissible pressure is limited to 93 bar at temperatures >120 °C.

Ensure that no condensation reaches the pressure sensor.

Connection set **AQB2005** is supplied with mounting instruction A6V12850305 and mounting bracket **AQB2004** with mounting instructions A6V10448569.

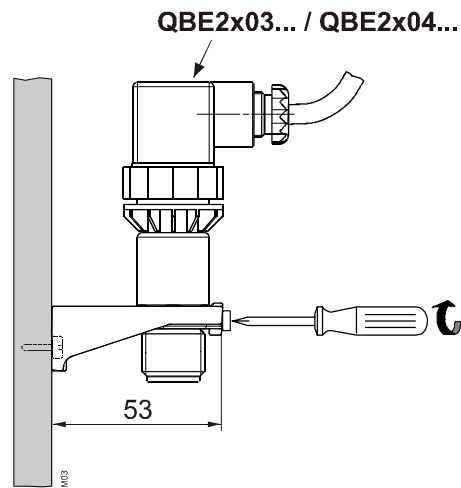
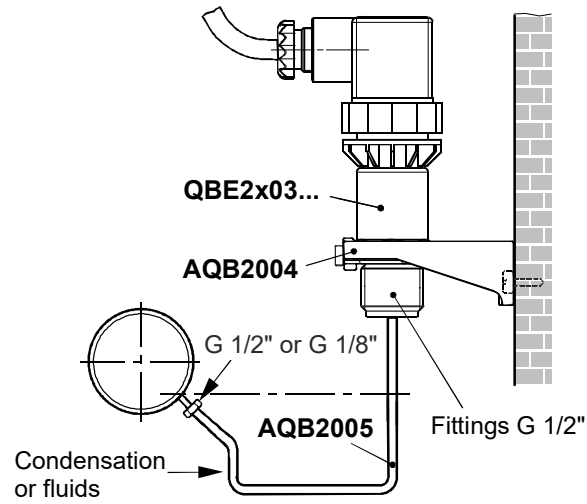
Disposal notes

- Use only designated channels for disposing of the devices.
- Comply with all local, applicable regulations.

Technical data

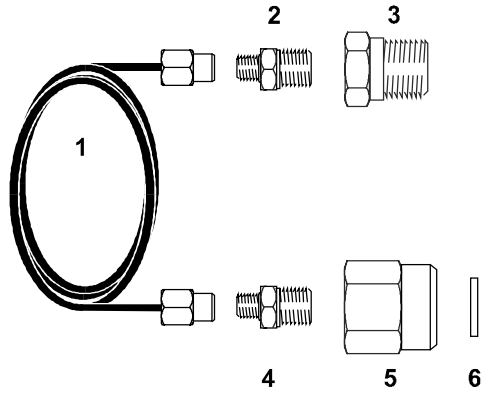
	AQB2005	AQB2004
EU conformity (CE)	CE1T1909xx *)	CE1T1909xx *)
Material	Copper, brass, Teflon	Aluminum
Weight, including packing	0.24 kg	30 g
Delivery	1 piece	1 piece

*) The documents can be downloaded from <http://siemens.com/bt/download>.



Dimensions

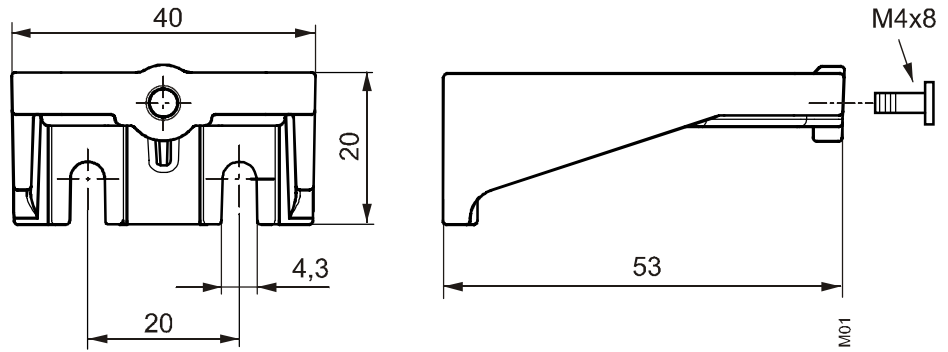
Connection set AQB2001



Key:

1. 1 m copper capillary line with brass connecting nut
2. Brass thread adaptor G $\frac{1}{8}$ " wrapped in PTFE
3. Brass thread adaptor G $\frac{1}{8}$ "/ G $\frac{1}{2}$ " wrapped in PTFE
4. Brass thread adaptor G $\frac{1}{8}$ " wrapped in PTFE
5. Fittings G $\frac{1}{2}$ "
6. Copper washer

Mounting bracket AQB2004



Published by:
Siemens Switzerland Ltd.
Smart Infrastructure
Global Headquarters
Theilerstrasse 1a
CH-6300 Zug
Switzerland
Tel. +41 58-724 24 24
www.siemens.com/buildingtechnologies

© Siemens Switzerland Ltd 2021
Delivery and technical specifications subject to change